

# data sheet

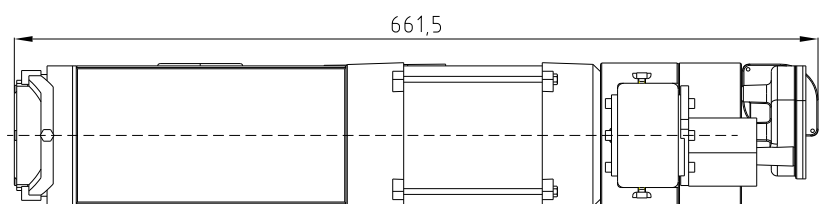
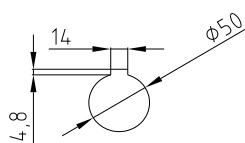
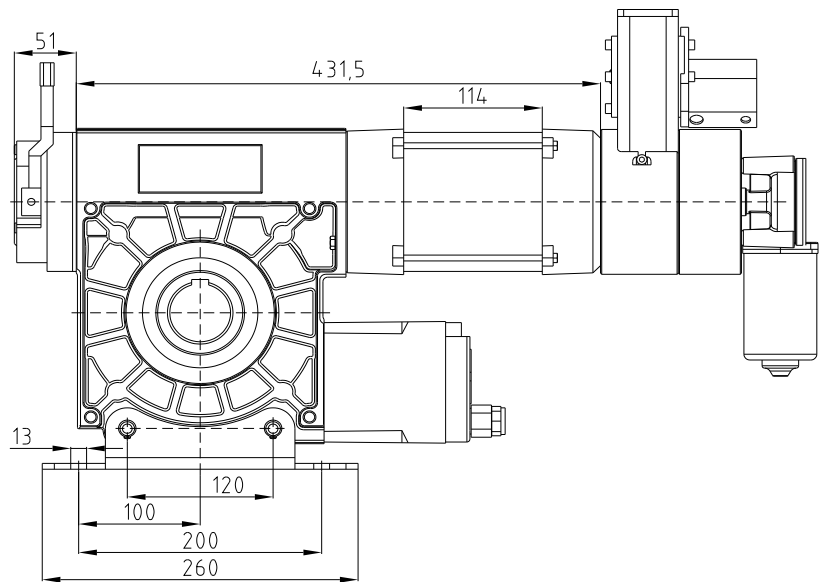
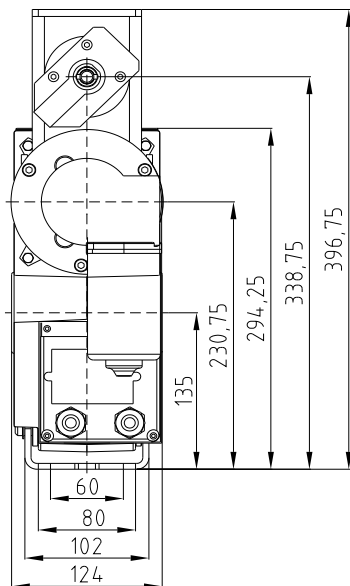
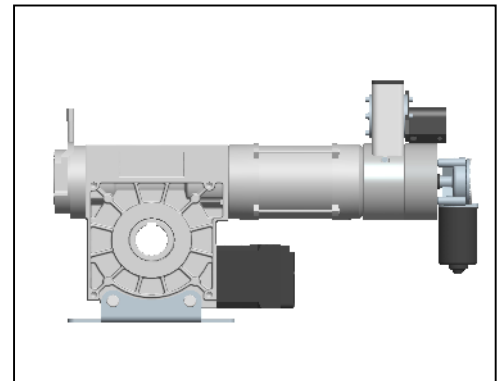


MFZ Antriebe GmbH & Co KG

Neue Mühle 4 D-48739 Legden  
 Postfach 1209 D-48739 Legden  
 Telefon +49-2566-9336-0  
 Telefax +49-2566-9336-29  
 E-mail info@mfz-antriebe

[www.mfz-antriebe.de](http://www.mfz-antriebe.de)

model	FDZ 5-75-10 KU	auxiliary drive
driving torque	750 Nm	2 Nm
maximum save catch torque	3494 Nm	---
permissible torque	763 Nm	---
driving motor speed	10 U/min	228 U/min
motor output	1,4 kW	62 W
operating voltage	400 V / 3~	24 V / DC
mains frequency	50 Hz	---
power factor $\cos\phi$		---
motor current rating	5,8 A	6,5 A
motor duty cycle	60%	
supply cable, on site	5 x 1,5 mm <sup>2</sup>	
fuse protection, on site	10 A	
control voltage	24 V	
protection grade	IP 54	
temperature range	-20°C - +60°C	
continuous sound pressure level	< 70 dB	
individual weight	41 kg	
maximum output revolutions	36	
sleeve shaft	50 mm	



maximum armour weights [kg]

dimensions of the winding shaft [mm]

101.6	108.0	133.0	159.0	177.8	193.7	219.1	244.5	273.0
x 3.6	x 3.6	x 4.0	x 4.5	x 5.0	x 5.4	x 5.9	x 6.3	x 6.3
1204	1133	920	769	688	631	558	500	448