

data sheet

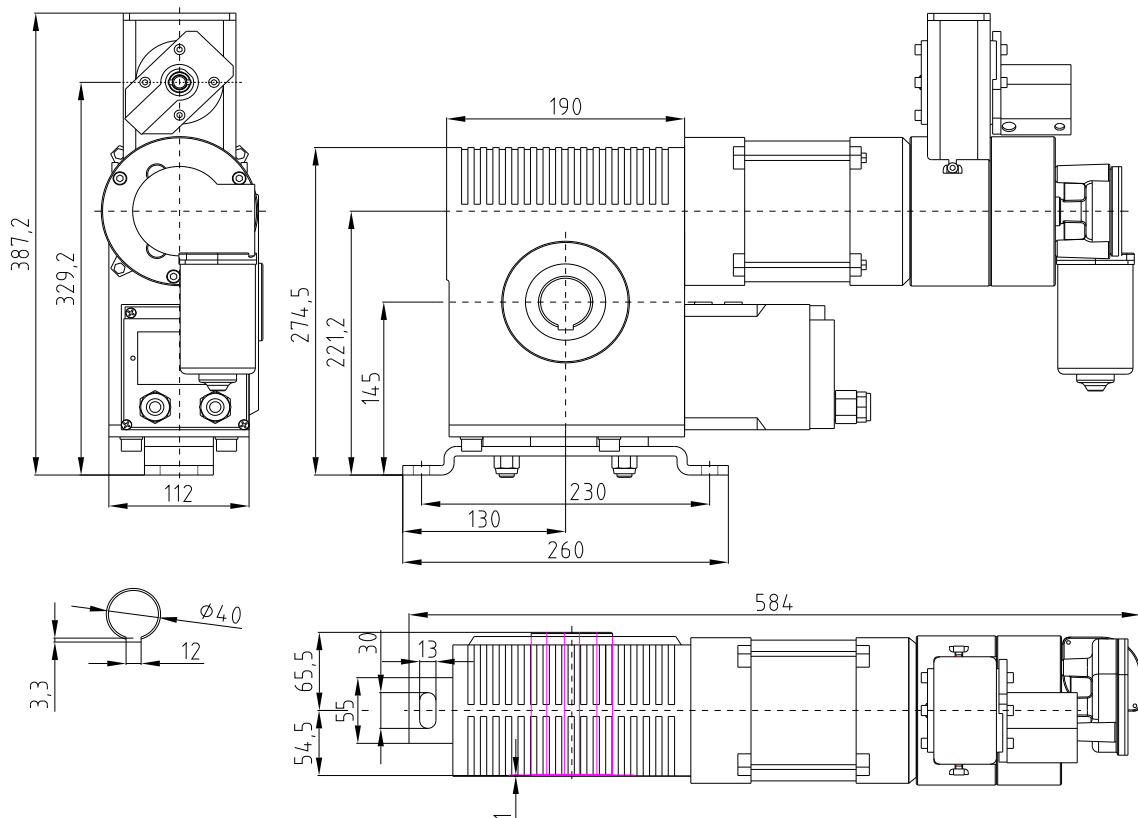
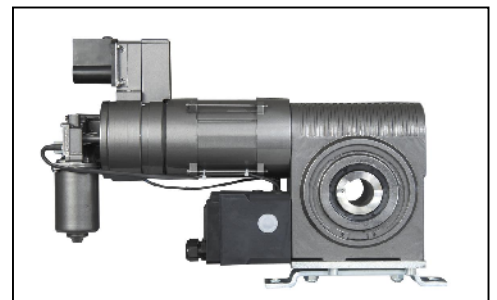


MFZ Antriebe GmbH & Co KG

Neue Mühle 4 D-48739 Legden
 Postfach 1209 D-48739 Legden
 Telefon +49-2566-9336-0
 Telefax +49-2566-9336-29
 E-mail info@mfz-antriebe

www.mfz-antriebe.de

model	FDZ 3-42-12 KU	auxiliary drive
driving torque	420 Nm	2 Nm
maximum save catch torque	1833 Nm	---
permissible torque	432 Nm	---
driving motor speed	12 U/min	228 U/min
motor output	1,1 kW	62 W
operating voltage	400 V / 3~	24 V / DC
mains frequency	50 Hz	---
power factor cosφ	0,58	---
motor current rating	5,1 A	6,5 A
motor duty cycle	60%	
supply cable, on site	5 x 1,5 mm ²	
fuse protection, on site	10 A	
control voltage	24 V	
protection grade	IP 54	
temperature range	-20°C - +60°C	
continuous sound pressure level	< 70 dB	
individual weight	35 kg	
maximum output revolutions	18	
sleeve shaft	40 mm	



maximum armour weights [kg]

dimensions of the winding shaft [mm]									
101.6	108.0	133.0	159.0	177.8	193.7	219.1	244.5	273.0	
x 3.6	x 3.6	x 4.0	x 4.5	x 5.0	x 5.4	x 5.9	x 6.3	x 6.3	
675	635	515	431	386	354	313	280	250	