

Leading Photocell Installation Sheet

GB
ENGLISH

Installation

1. Screw the mounting brackets to the leading photocell
2. Close the door
3. Position the leading photocell on the door by placing it on the floor in the folded up state
4. Fix the brackets to the door



Notes :

- The two photocells must be fitted to the door leaf at the same height.
- The photocells must run directly along the guide rail in their unfolded state so that they monitor the entire clearance.
- The receiver should be protected from direct sunlight.

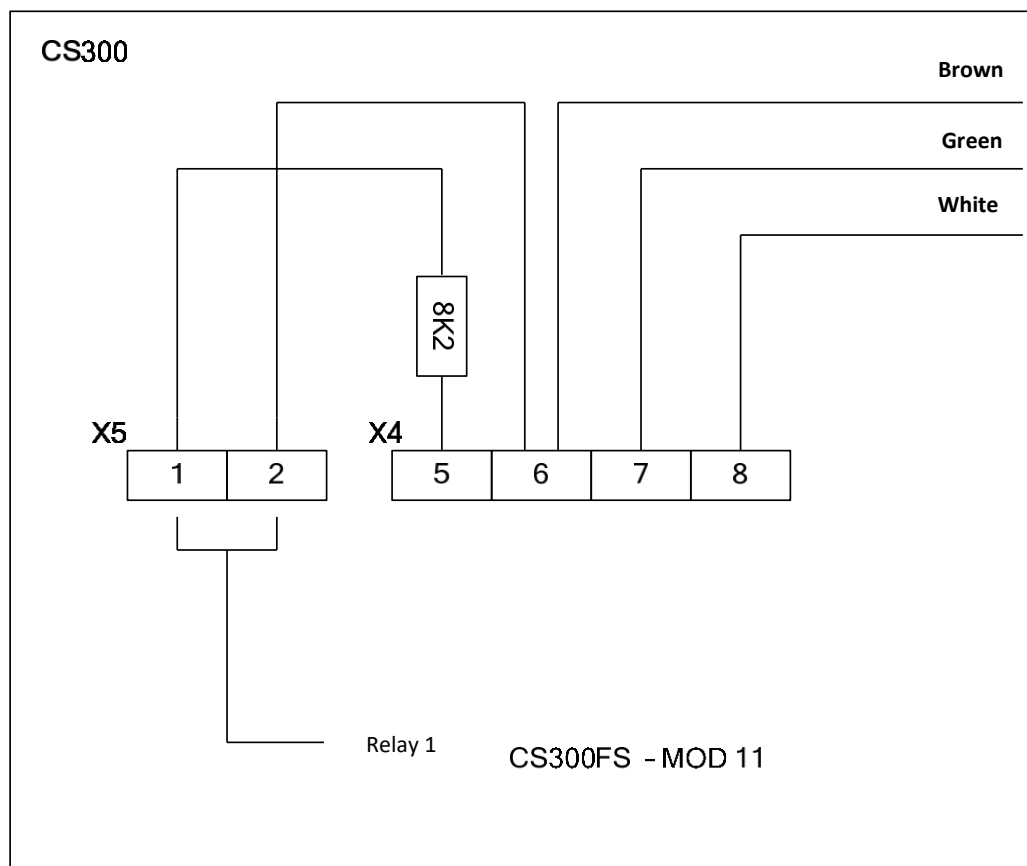
GB Leading Photocell Installation Sheet

ENGLISH

Electrical Connection to the CS 300

- The leads of the transmitter and receiver units are connected in parallel according to the colors and are connected up to the CS 300 with a spiral cable.
- The pre-limit switch CLOSE must be be correctly adjusted.

Connection to the CS 300:



Adjustment of the pre-limit switch CLOSE

- With CS300ME / CS300FS set the mode for relay 1 to 11 (pre-limit switch CLOSE).
- Close the door until the leading photocell just touches the ground.
- Set the pre-limit switch CLOSE to this position. (white limit switch)